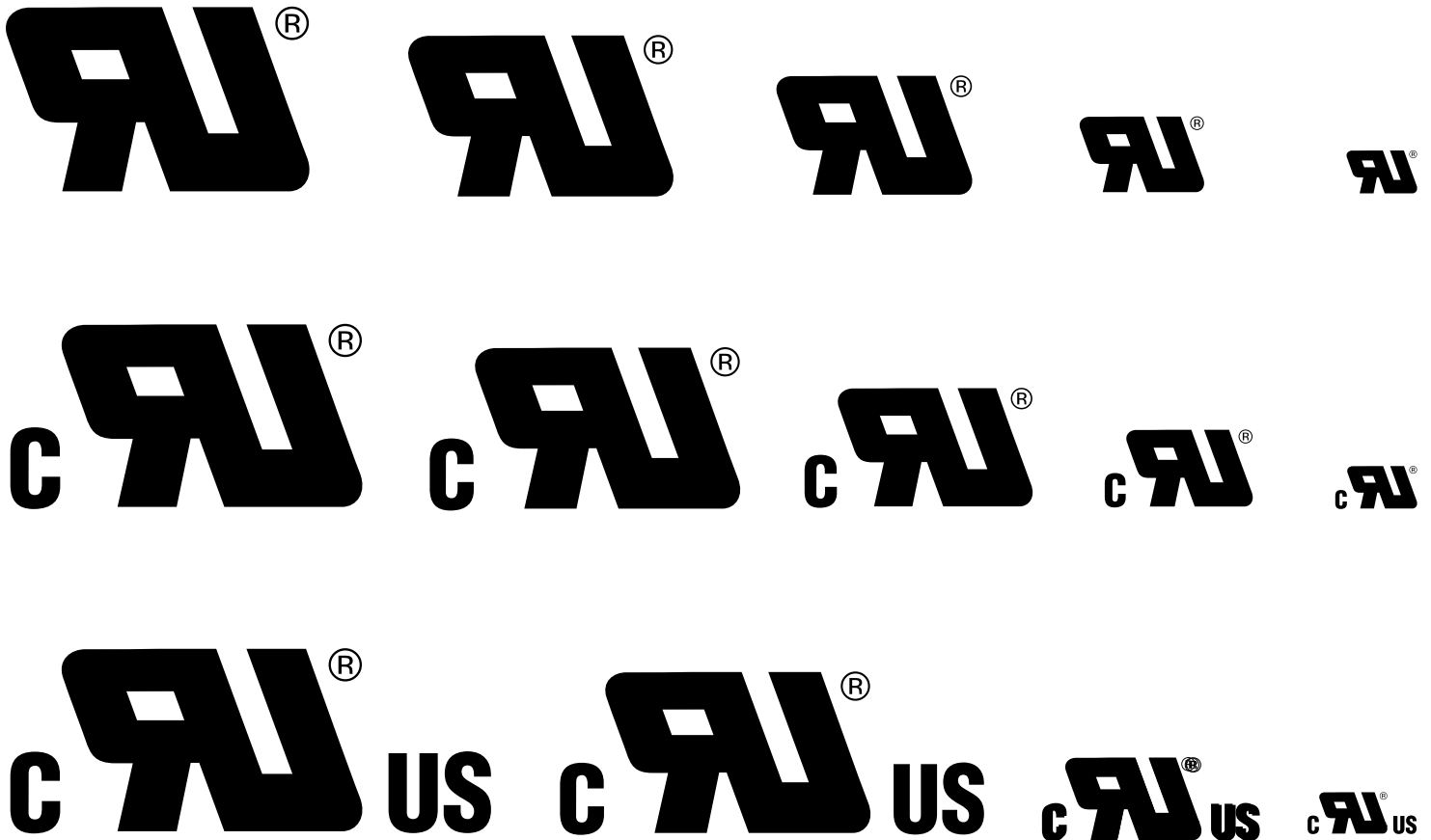


CAMERA-READY LOGOTYPE — RECOGNIZED COMPONENT MARKS

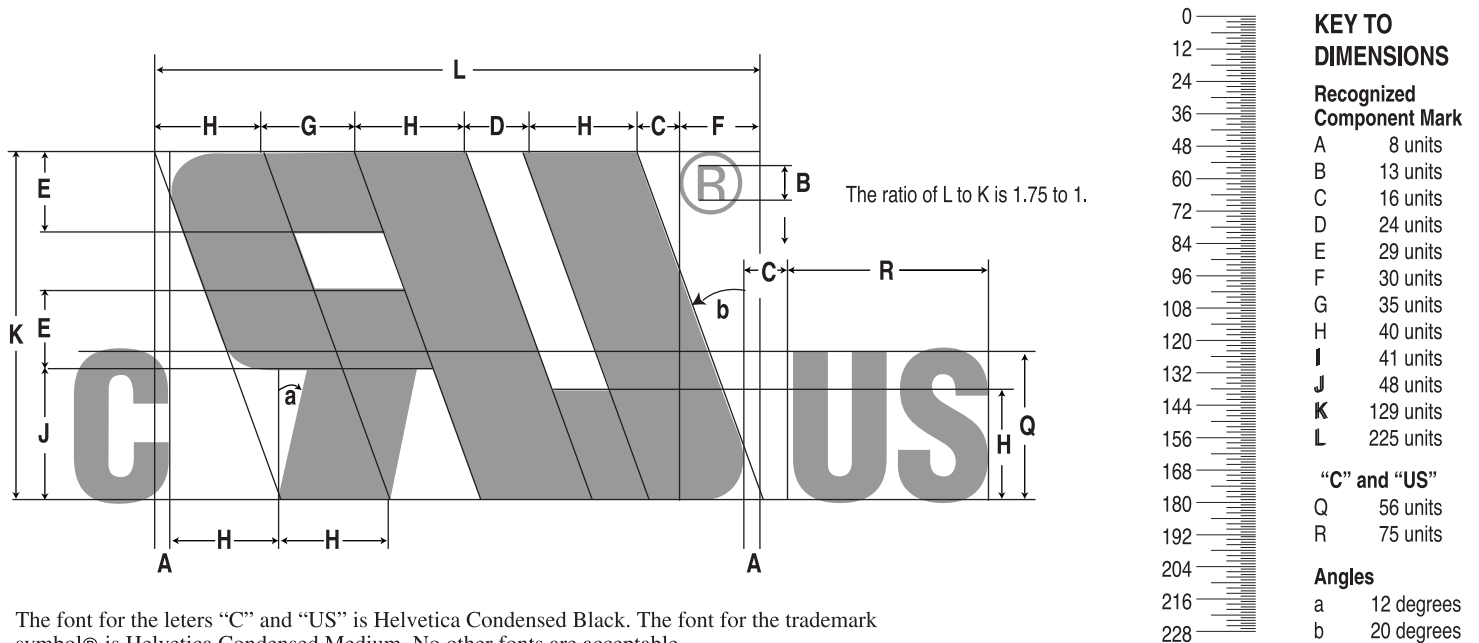
These Marks are registered by Underwriters Laboratories Inc.

Recognized Component Mark



The minimum height of the registered trademark symbol ® shall be 3/64 of an inch.
When the overall height of the Recognized Component Mark is less than 7/32 of an inch, the trademark symbol may be omitted if it is not legible to the naked eye.

RELATIVE DESIGN & PROPORTIONS OF THE RECOGNIZED COMPONENT MARKS



The font for the letters "C" and "US" is Helvetica Condensed Black. The font for the trademark symbol® is Helvetica Condensed Medium. No other fonts are acceptable.