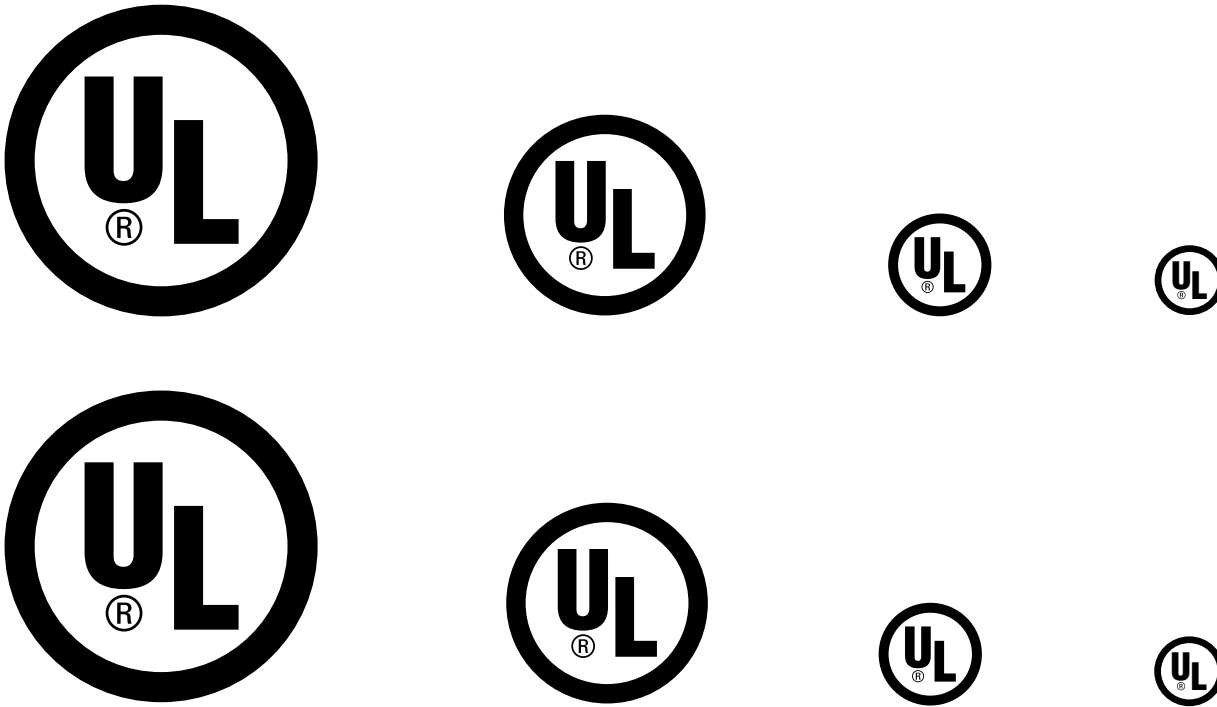


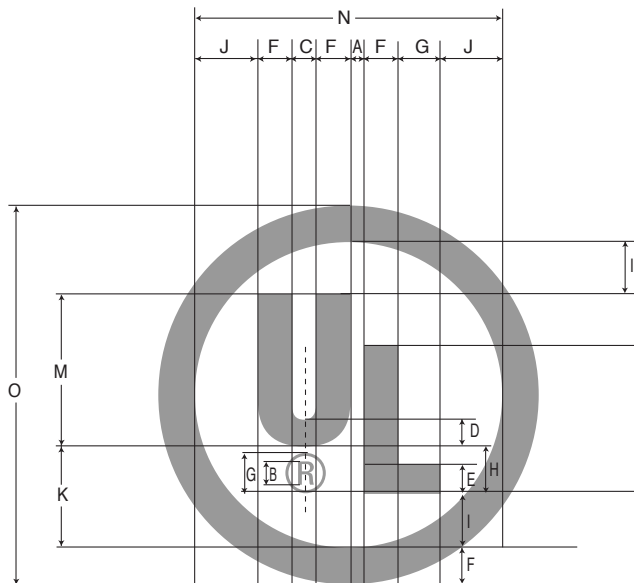
# CAMERA-READY LOGOTYPE OF THE UL MARK

These Marks are registered by Underwriters Laboratories Inc.



The minimum height of the registered trademark symbol ® shall be 3/64 of an inch. When the overall diameter of the UL Mark is less than 3/8 of an inch, the trademark symbol may be omitted if it is not legible to the naked eye.

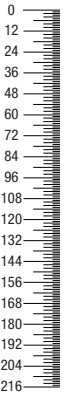
## RELATIVE DESIGN & PROPORTIONS OF THE UL MARK



### KEY TO DIMENSIONS

#### UL Mark

A	8 units	I	30 units
B	13 units	J	35 units
C	14 units	K	59 units
D	15 units	L	85 units
E	17 units	M	87 units
F	20 units	N	176 units
G	24 units	O	216 units
H	29 units		



#### Please note:

The font for all letter forms is Helvetica Condensed Black, except for the trademark symbol®, which is Helvetica Condensed Medium. □  
No other fonts are acceptable.